

## DYNATHERM P SERIES

- \* Oil Fired Hot Water Boilers with Wet Leg Design
- \* High Efficiency Oil Fired Residential Boilers
- \* Built to last a Lifetime
- \* Engineered for ease of Installation and Maintenance
- \* 103,000 to 156,000 B.T.U./hr Models

### Quality and Security you can expect from **DYNATHERM** boiler.

We know you want the best for your family and we can help you keep them comfortable throughout the year. **DYNATHERM** boilers are engineered to use every drop of your precious heating oil. Our standard of excellence in boiler design and construction is as exacting today as it was when we first began production in 1937.

Your **DYNATHERM** is built to last.

With your **DYNATHERM** boiler, more heat stays inside your home, instead of going up the chimney.

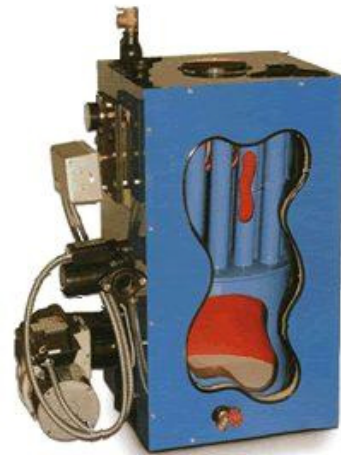
That's why **DYNATHERM** is able to provide you with a Limited Lifetime Warranty.

Let our Dealer show you how a new **DYNATHERM** boiler can save you money this year – and thousands of dollars in the years ahead.

### Why the P-Series **DYNATHERM** ?

**DYNATHERM P Series** design provides the most efficient transfer of heat to water in its boiler design.

- Efficient space saving design
- Comfortable
- Efficiency
- Decades Of **DYNATHERM** Reliability
- Quality Materials
- American Craftsmanship



#### **DYNATHERM BOILER MFG**

43 East Cherry Rd  
Quakertown, PA 18951  
Phone 215-536-4078  
[www.dynathermboiler.com](http://www.dynathermboiler.com)

*Pioneer in Efficiency... Leader by Design*

# DYNATHERM P SERIES SPECIFICATION SHEET

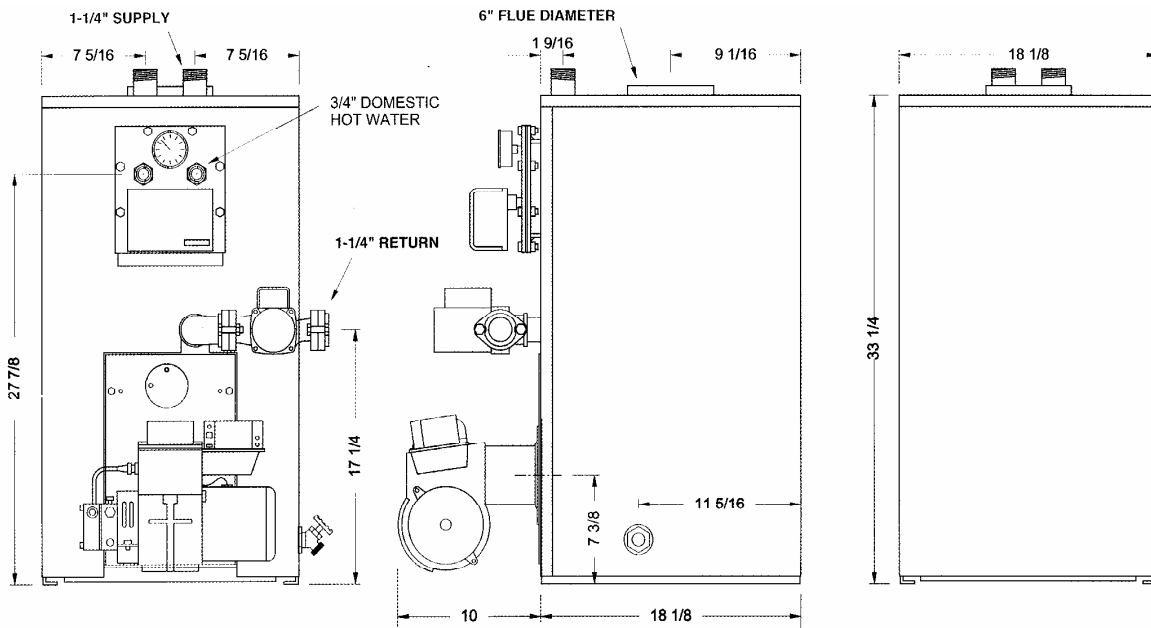
MODEL NO.	D.O.E. Heating Capacity MBH	NET I.B.R. Rating Water MBH	I.B.R. Input G.P.H.	Nozzle Size G.P.H. (Note 1)	D.O.E. A.F.U.E.	Water Contents GAL.	Domestic Hot Water Coil	Shipping Weight	Normal Chimney Size
P103	103	90	.85	.75	86.0	13	5	324	8" x 8" x 15'
P119	119	103	1.00	.85	85.1	13	5	324	8" x 8" x 15'
P143	143	124	1.18	1.00	86.0	12.5	5	340	8" x 8" x 15'
P182	156	135	1.30	1.10	85.0	12.5	5	340	8" x 8" x 15'

**Ratings based on:** -.01" overfire—13.5% CO<sub>2</sub>—oil at 140,000 BTU per gallon. The Net I.B.R. ratings shown are based on a piping and pick-up allowance of 1.15. For installations having unusual piping and pick-up requirements, consult manufacturer.

**Standard Equipment:** Includes A.S.M.E. code constructed wet leg boiler, built-in tankless heater, fully insulated jacket with powder coated finish, removable burner door with inspection port, hot water circulator, temperature-pressure gauge, A.S.M.E. relief valve, flue economizers, brass boiler drain, 3450 R.P.M. flame retention oil burner, nozzle, 14,000 volt solid state ignitor, oil burner relay with cad cell, triple acting aquastat relay, and wiring harness. All factory assembled, wired and packaged.

(1) Pump pressure set at 140 psi.

**Allowance for Domestic Hot Water Load:** Allowance for domestic hot water needs to be made in the selection of a Dynatherm oil unit only if there are more than two bathrooms to be served or if the use of domestic hot water exceeds 75 gallons in 24 hours, in which the following allowances should be made: Storage Type Heaters—120 B.T.U. per gallon of storage capacity; tankless heater—12,000 B.T.U. for each bathroom in excess of two.



### Optional Equipment

- \* Power Gas Burner in place of oil burner
- \* Optional hinged burner door

The Bethlehem Dynatherm boiler is built to meet the requirements of the A.S.M.E. Boiler and Pressure Vessel Code, and carries the A.S.M.E. stamp. Every boiler is factory inspected by an insured employee by a nationally recognized boiler and insurance company and commissioned by the National Board of Boiler and Pressure Vessel Inspectors and/or the State of Pennsylvania

**DYNATHERM BOILER MFG** *Simply ... the Most Efficient since 1937*

43 East Cherry Rd Quakertown, PA 18951  
 Phone (215) 536-4078 Fax (215) 536-8960  
 www.dynathermboiler.com

